

BA-100H/150H

1/2" - 3/4"

MSS SP-110

**BRONZE BALL VALVE, HOSE END,
DUST CAP and CHAIN
TWO-PIECE, FULL PORT
THREADED x 3/4" HOSE END (BA100H)
SOLDER x 3/4" HOSE END (BA150H)**

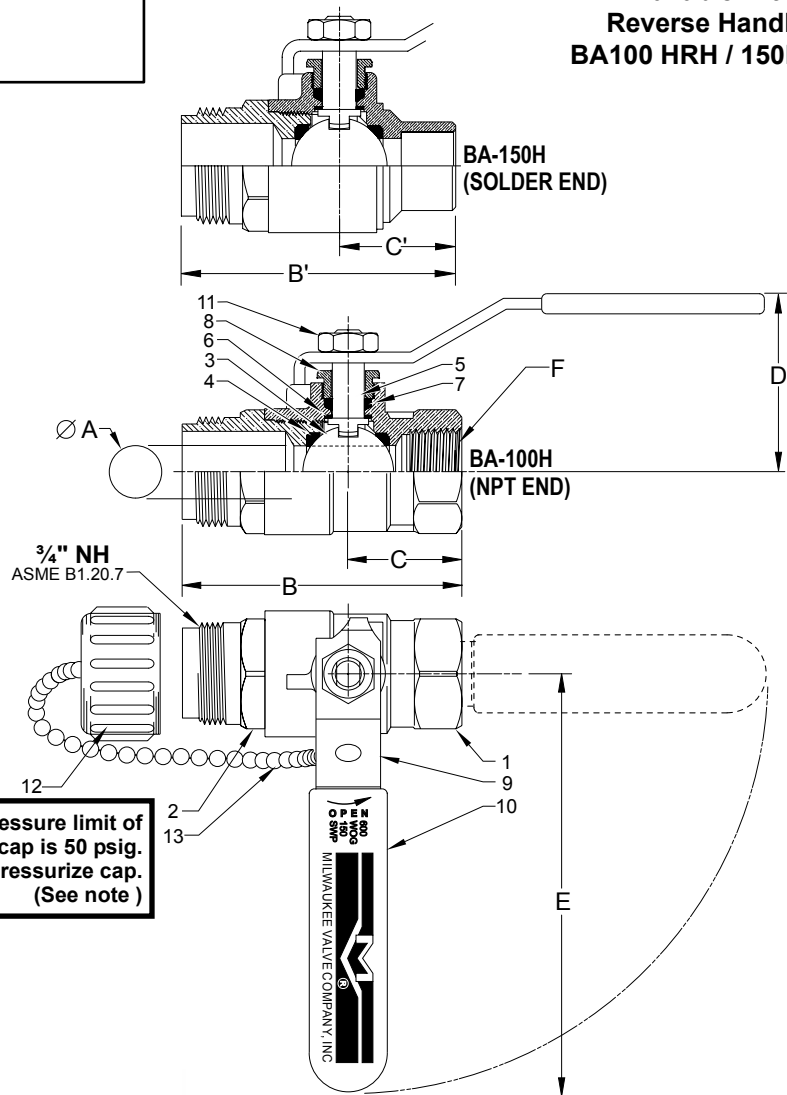
**Available with
Reverse Handle
BA100 HRH / 150HRH**

DIMENSIONS

	UNITS	1/2"	3/4"
		DN15	DN20
Ø A	INCHES	0.50	0.76
	mm	12.7	19.3
B (BA-100)	INCHES	2.70	2.90
	mm	69	74
B' (BA-150)	INCHES	2.55	3.05
	mm	65	78
C (BA-100)	INCHES	1.10	1.30
	mm	28	33
C' (BA-150)	INCHES	1.10	1.45
	mm	28	37
D	INCHES	1.88	2.14
	mm	48	54
E	INCHES	3.81	4.62
	mm	97	117
F	THREADED INLET	NPT	NPT
	Cv	13	30

Note: DN (Diameter Nominal) =
Metric equivalent size.

Rev. 12



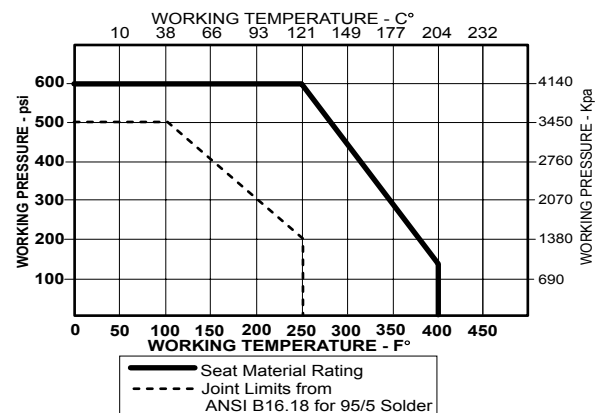
**Pressure limit of
cap is 50 psig.
Do not over pressurize cap.
(See note)**

MATERIALS LIST

ITEM	PART	MATERIALS	ASTM SPEC.
1	Body	Bronze	B584
2	Tailpiece	Brass	B16
3	Ball	Brass, Chrome Plated	B16
4	Seat	RPTFE, 15% Glass Filled	
5	Stem	Brass	B16
6	Thrust Washer	RPTFE, 25% Glass Filled	
7	Packing	PTFE	
8	Packing Nut	Brass	B16
9	Handle	Steel, Zinc Plated	Commercial
10	Hand Grip	Vinyl	
11	Handle Nut	Steel, Zinc Plated	Commercial
12	Dust Cap	Polypropylene	
13	Gasket	EPDM	
14	Chain	Brass Bead	

NOTE: Pressure / Temperature ratings shown are for valve only. Hose side pressure and temperature limit is based on connected hose and is the users responsibility. Maximum pressure for the cap is 50 psig.

PRESSURE - TEMPERATURE DATA (See Note)



The information presented on this sheet is correct at the time of publication. Milwaukee Valve reserves the right to change design, and/or material specifications without notice. For the Installation, Operation and Maintenance Manual (IOM) see the engineering section on our website. For the most current information access www.milwaukeevalve.com

